

Push button switch type 2905-C (2 SPDT) and B (1 SPDT) on single frame and type 2905-c on multiple frames

Description

The 2905-C push button switch is made by a switch module, with (2 SPDT) @ 5mm distance between terminal, a frame and a shaft.

The type 2905-C push button switch can be also grouped up to 7 elements, with the possibility of interlocking various combinations.

The rapid acting switch offers low activating force with minimal shaft play and self cleaning contacts.

Applications

The main application is in the domestic appliance industry.

Mechanical operation

Available in the following versions:

Independent: push once to activate, push again to release.

Push-button: push to activate, returns to rest position on release.

Interlocked: when a switch is activated, the previous one is automatically released. A safety device prevents two switches being activated together.

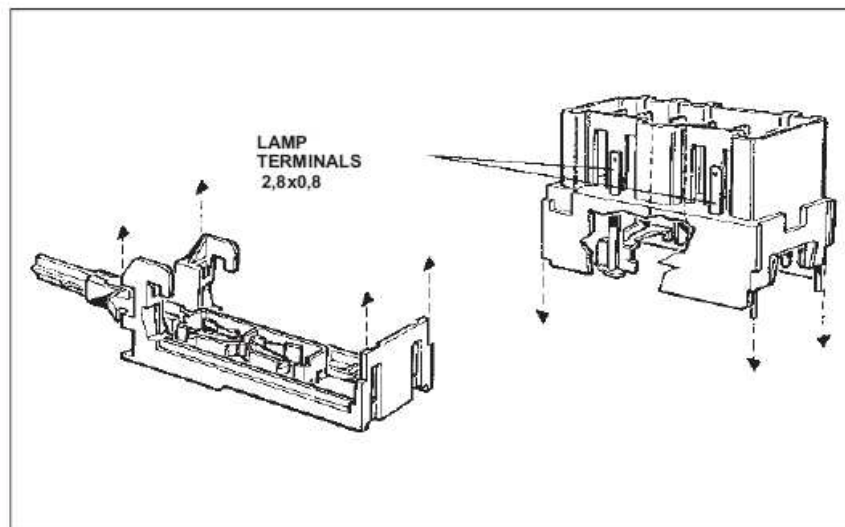
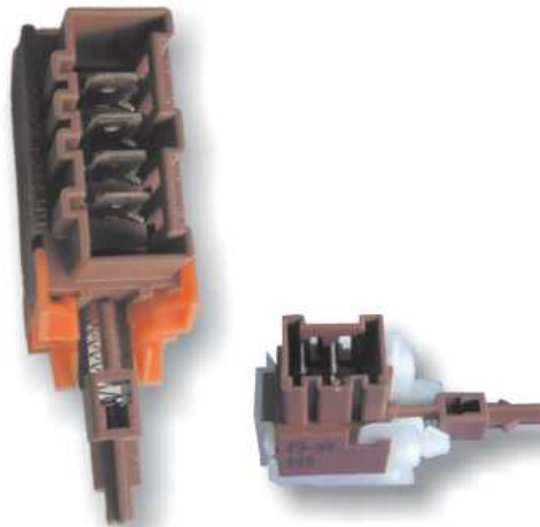
Mounting

Snap-in mounting onto control panel. Electrical connections can be made either using polarized connector blocks or single tabs with relative insulation covers.

Electrical characteristics

Each module contains up to two single-pole or double-pole switches or a combination of these.

Max voltage	250 V
	50-60 Hz
Resistive current	16 A
Inductive current	4 A
Lamp terminals	(2,8x0,8)
Duty	light
Contact clearance normal	(> 3 mm)
Activating force	<17N
Max Ambient temp	85°C
Dielectric strenght between terminals and support	>4KV (1 min)
Insulation resistance between terminals and support	>50Mohm
Contact bearing plastic parts resistant to Glow Wire test	850°C



The product conforms with the European Standard EN 60335 (safety of domestic appliances). European (C.C.A.) Approval has been granted according to standard EN 61058.

Push button switch
type 2905-C and B on single frame
and type 2905-C on multiple frames

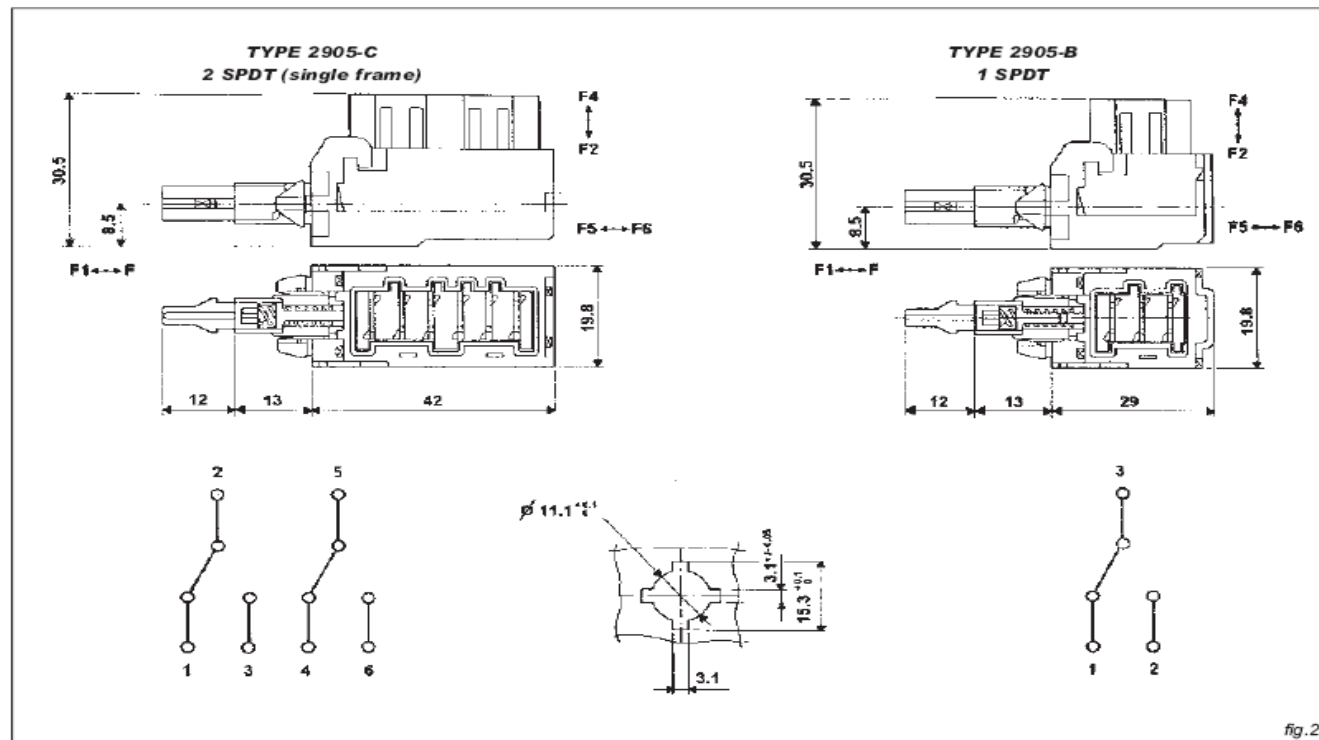
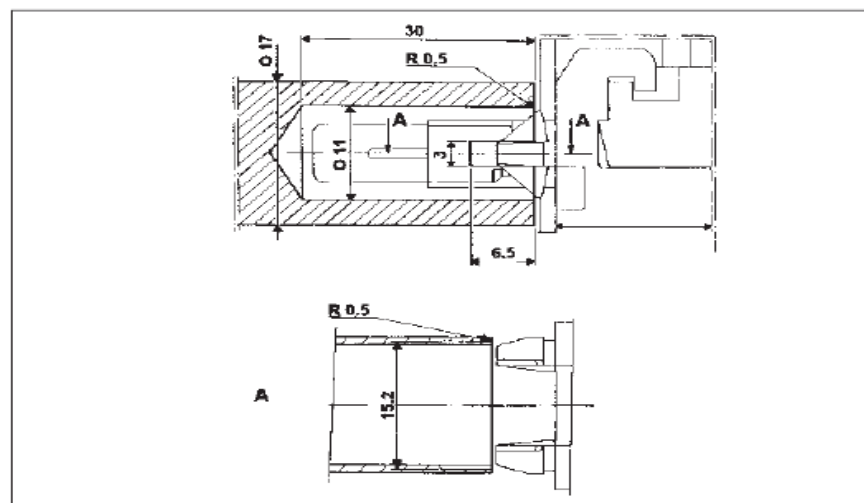


fig.2

Mechanical characteristics

- To avoid over-stressing the snap-in mounting clips it is advisable to make the electrical connections before inserting the switch into the panel.
- Insertion force $F_5 < 150$ N.
The hole in the panel must be free from burr and sharp edges, ideally with a 0,5 mm radius.
If the panel is metal, the side from which the switch is mounted should be slightly rounded during blanking.
- Removal force $F_5 < 150$ N.
- Max. Applicable force $F = 150$ N.
- Max. Traction force $F_1 = 200$ N with switch at rest position.
- Max. Traction force $F_1 = 100$ N with switch activated.
- Max. Force applicable to connector block (with switch mounted on panel) $F_2 = 80$ N.
- Max. Force applicable to remove connector block (with switch mounted on panel) $F_4 = 80$ N.



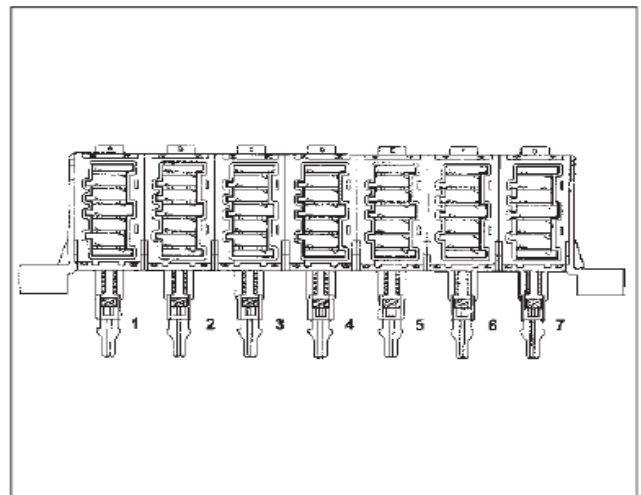
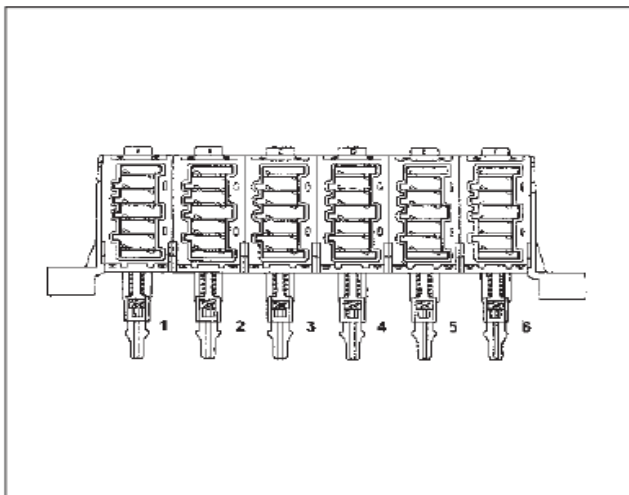
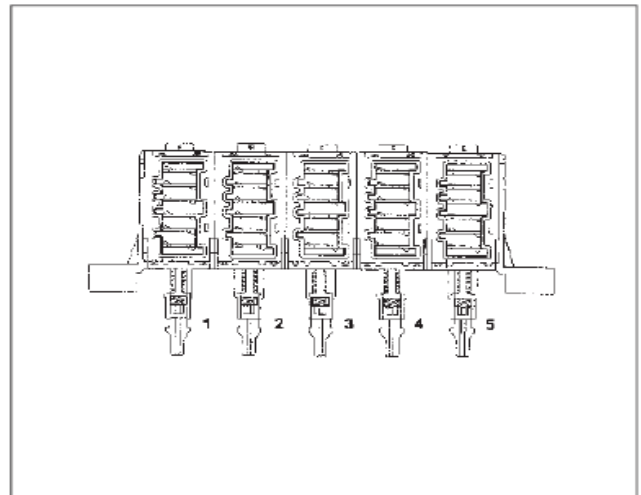
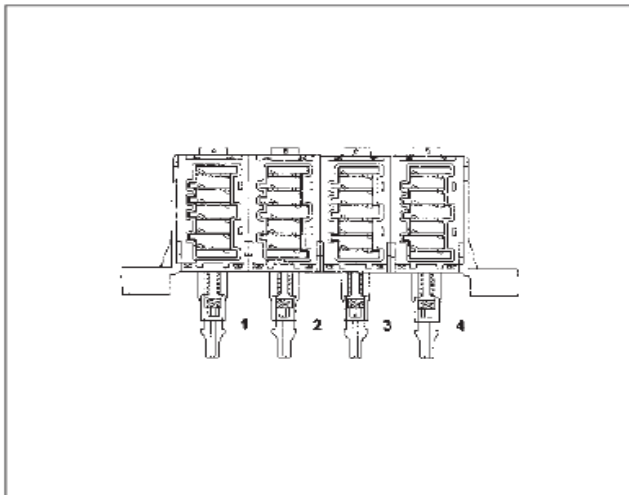
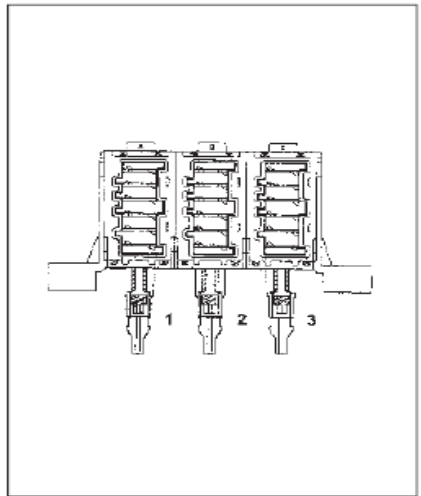
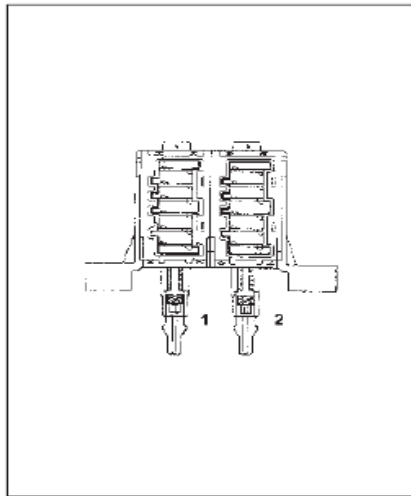
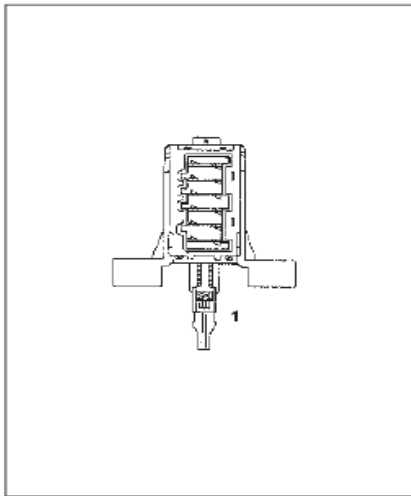
Insertion and removal of switch

- In order to remove the switch from the panel where it is mounted, the four clips must be closed using a special tool ($\varnothing 11$) as shown in fig. 3. The tool should be pushed fully home and then the switch may be removed from the panel.

Fig. 3 Tool for assembly and disassembly.



Push button switch 1 - 7 keys with 20 mm distance between shafts



MILANO COMPONENTI s.r.l.
Via Carlo D'Adda 30
20143 MILANO
tel. (39) 02 89421465 - fax. (39) 02 83249533

