



## Serie S Microswitches

### General description

The S series microswitches is divided into 5 families (S16, S10, S10 HD, S5, S3), all with the same dimensions and shape, but with different mechanical and electrical characteristics.

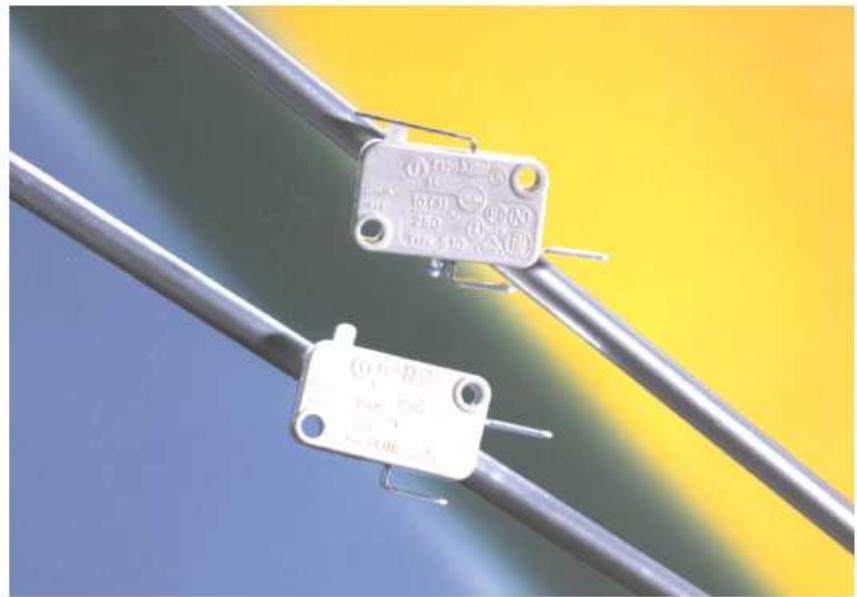
This range of microswitches is mainly used on washing machine, dishwashers, dryers and small appliances.

They are also suitable for automotive, industrial and civil applications.

The switches can be operated by applying pressure directly to the button, to a lever or to a telescopic button which increases the total travel of the switch.

It is also possible to couple switches together for operation by a common lever. 5 mm pitch terminals are available.

BITRON is available to develop customized versions for significant volumes.



### Technical characteristics

Materials:

- Body: self-extinguishing glass-filled PA66 (passes glow wire test 850°C).
- Terminals: silver-plated brass.
- Switch blade: CuBe.
- Contacts: silver alloy.

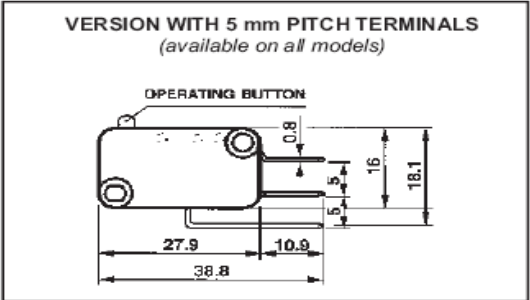
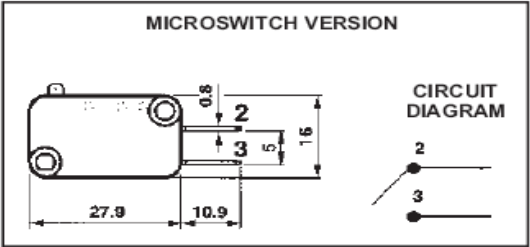
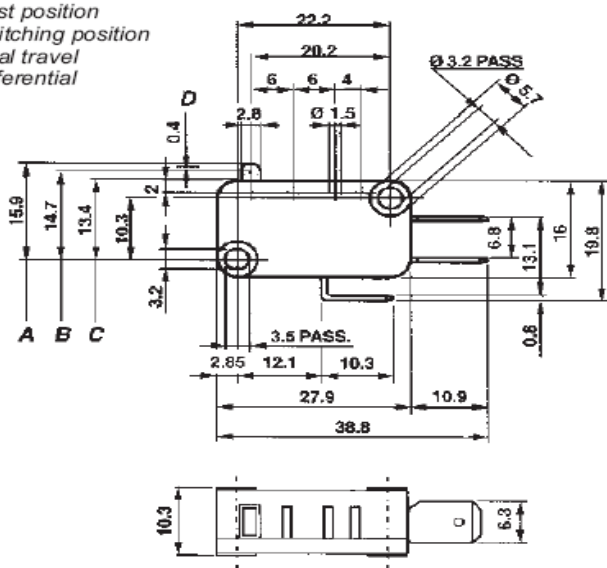
Table 1

	TYPE S16	TYPE S10	TYPE S10HD	TYPE S5	TYPE S3
Resistance load max.	16A	10A	10A	5A	3A
Motor Load max.	4A	3A	3A	2A	1A
Operating voltage max.	250V a.c.	250V a.c.	250V a.c.	250V a.c.	250V a.c.
Ambient temp. Max.	125°C	125°C	125°C	125°C	125°C
Operating force	3,75 ± 0,75 N	1,3 ± 0,3N	0,8 ± 0,2N	0,5±0,2N	16±4cN
Mechanical life	>10 <sup>5</sup> cycles	>2*10 <sup>5</sup> cycles	>10 <sup>6</sup> cycles	>2*10 <sup>5</sup> cycles	>10 <sup>6</sup> cycles
Electrical life	>50*10 <sup>3</sup> cycles	>50*10 <sup>3</sup> cycles	>150*10 <sup>3</sup> cycles	>50*10 <sup>3</sup> cycles	>50*10 <sup>3</sup> cycles
Operation	+++ freq.	+++ freq.	+++ freq.	+++ freq.	+++ freq.
Contact clearance	<3 mm	<3 mm	<3 mm	<3 mm	<3 mm
Resistance to tracking PTI	>250V	>250V	>250V	>250V	>250V
Terminals	6,3x0,8 mm	6,3x0,8 mm	6,3x0,8 mm	6,3x0,8 mm	6,3x0,8 mm
		4,8x0,8 mm	4,8x0,8 mm	4,8x0,8 mm	4,8x0,8 mm
		4,8x0,5 mm	4,8x0,5 mm	4,8x0,5 mm	4,8x0,5 mm
				2,8x0,8 mm	2,8x0,8 mm
				2,8x0,5 mm	2,8x0,5 mm

**Serie S**  
Microswitches

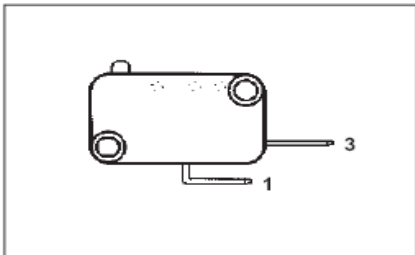
**Dimensions**

- A Rest position
- B Switching position
- C Total travel
- D Differential

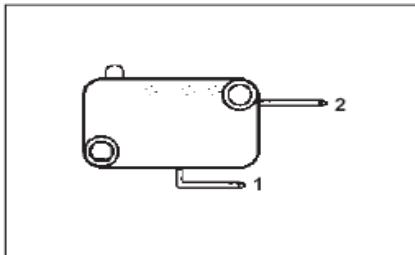


**Versions**

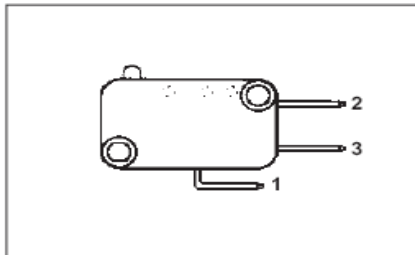
**NORMALLY OPEN**



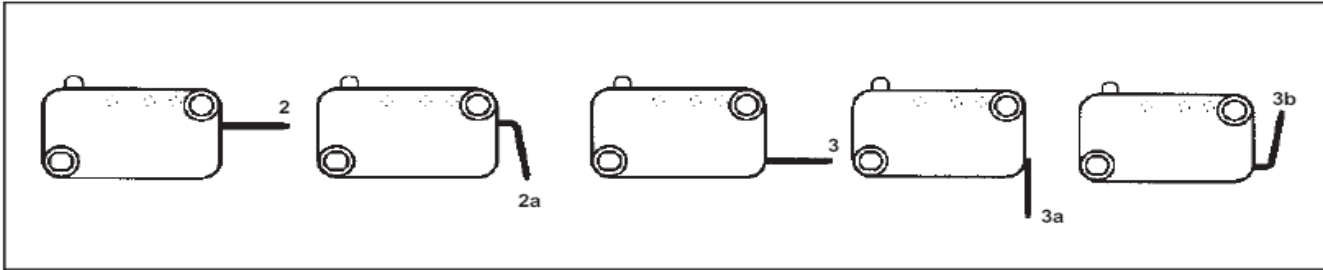
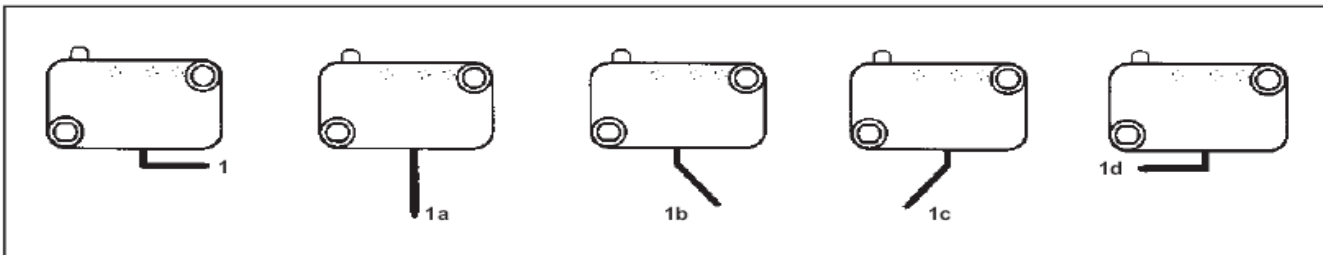
**NORMALLY CLOSED**



**2 WAY SWITCH**



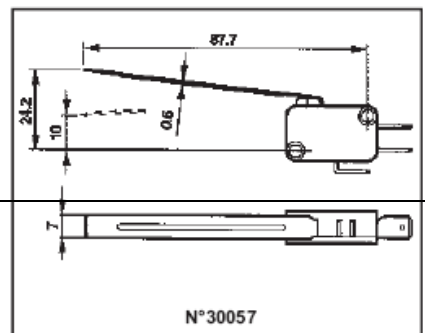
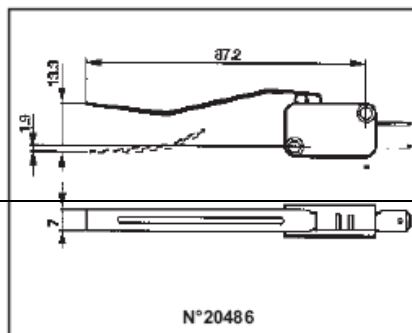
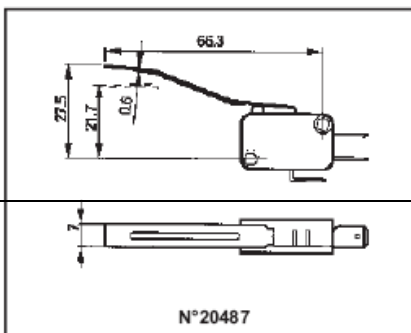
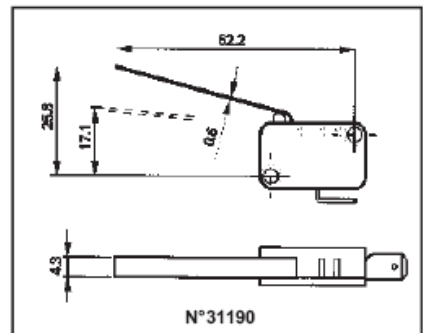
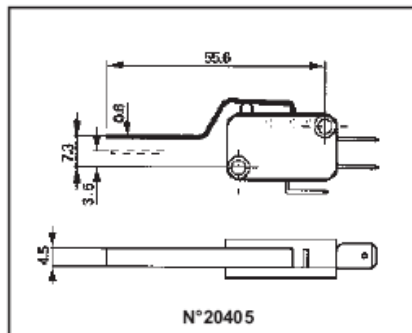
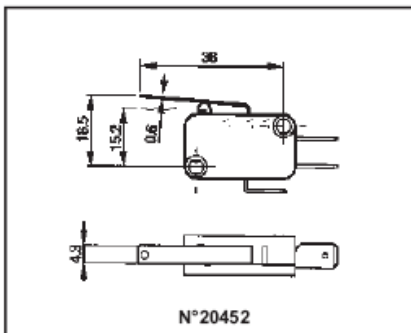
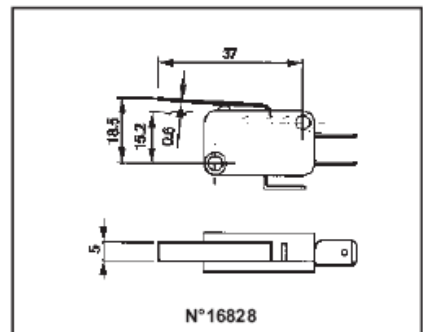
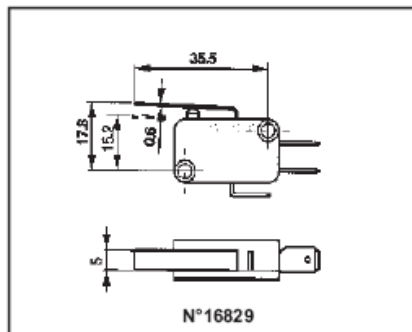
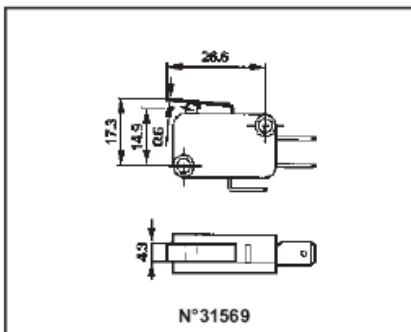
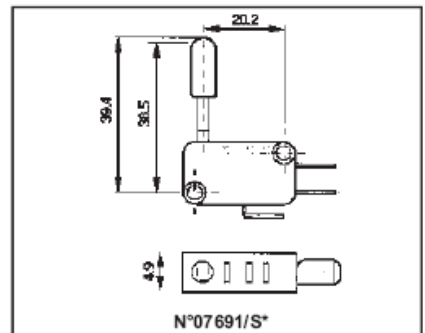
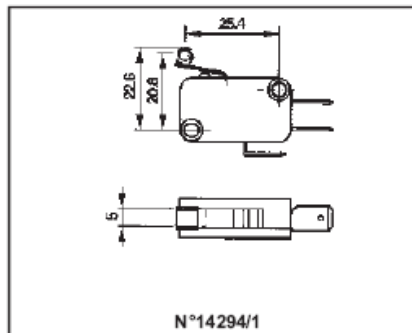
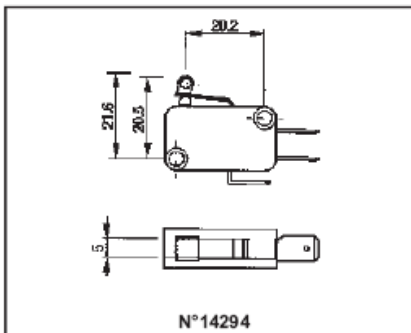
**Terminals configurations**





Serie N  
Microswitches

Dimensions



\* TELESCOPIC BUTTON TO INCREASE TOTAL TRAVEL