



Gear motor for rotisserie and similar application units Type MR 323

General

The MR 323 gear motor has been designed for domestic application units and large numbers have been used to operate revolving spits in gas and electric ovens.

The simple design, the materials used, the rigorous quality controls and the highly automated production process guarantee a noiseless, durable, highly reliable product which will satisfy even the most demanding customers.

Thirty years' manufacturing experience, tens of millions of parts produced and customer recognition put us in a class of our own.

An MR 323 gear motor's component parts are shown in fig. 1.

Standard approvals

IMQ
VDE
UL

Notes on applications

The MR 323 gear motor has been designed and manufactured to withstand the high temperatures encountered in traditional and pyrolytic self cleaning ovens.

The gear motor has been designed to withstand a maximum room temperature of 125°C.

The life-expectancy of this product is over 400 operational hours.

The unit should be mounted with its bracket.



Typical applications

- Turn spits for ovens or cookers.
- Pyrolytic oven door blocking devices.
- Barbecues.
- Automatic machines.

Design

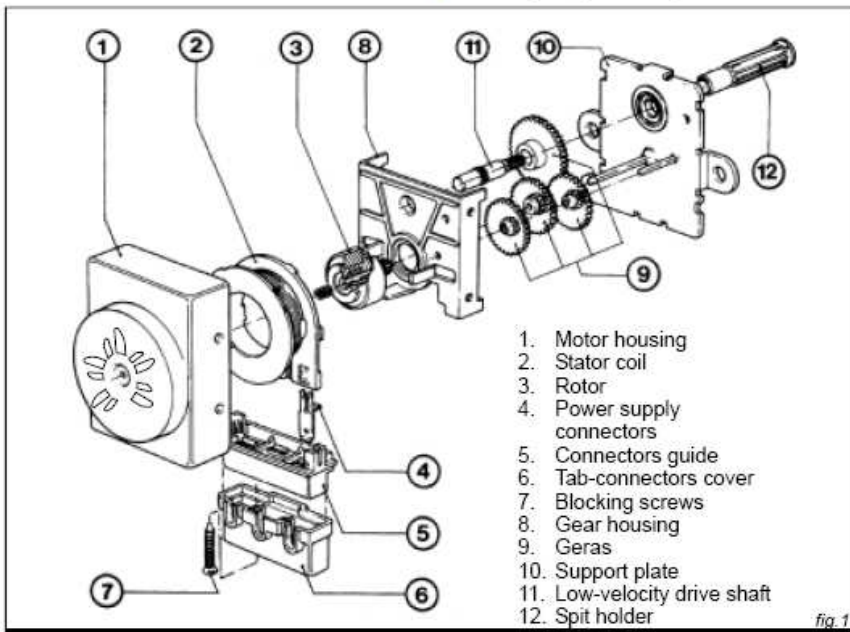
- 4-Watts monophase synchronous motor rotating in either direction.
- Rotor made of sinterised ceramic oxides with high degree of magnetisation.

- Class H motor insulation.
- Low-velocity drive shaft speed: 1.8 rpm.
- Gear support made of pressed plate.
- Motor housing made of deep-drawn zinc plate.
- Molybdenum bisulphide grease providing life lubrication.
- Electrical terminals: 6.34x0.8 tab connectors made of tinplated brass.
- Power supply: 230 V 50/60 Hz.
- Spit holder made of deep-drawn zinc plate and forced on to knurled drive shaft; various versions available as shown in fig. 3.

Special design requirement

- Power supplies:

100/120 V	50/60 Hz
400 V	50 Hz
120/230 V	60/50 Hz
240 V	50/60 Hz
- Only one rotation way version.
- Die cast aluminium spit holder.
- Spit lengths according to customer's request.
- Use of UL recognized materials.

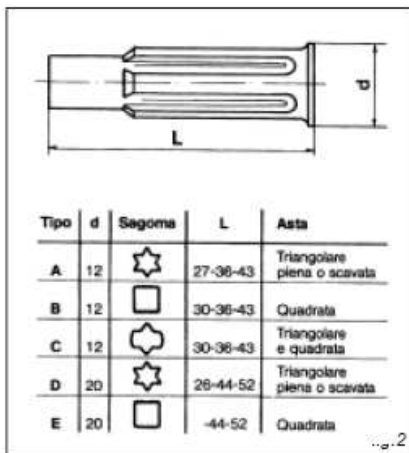


MILANO COMPONENTI s.r.l.
Via Carlo D'Adda 30
20143 MILANO
tel. (39) 02 89421465 - fax. (39) 02 83249533



Gear motor for domestic and similar application units
Type MR 323

Choice of standard spit holders made of deep-drawn plate



Choice of motor reducer MR 323

The following example illustrates how to specify one's choice of motor reducer:

- MR 323 product type.
 - 230/50 power supply required
 - B square spit holder
- where:
- MR 323 230/50 B L36

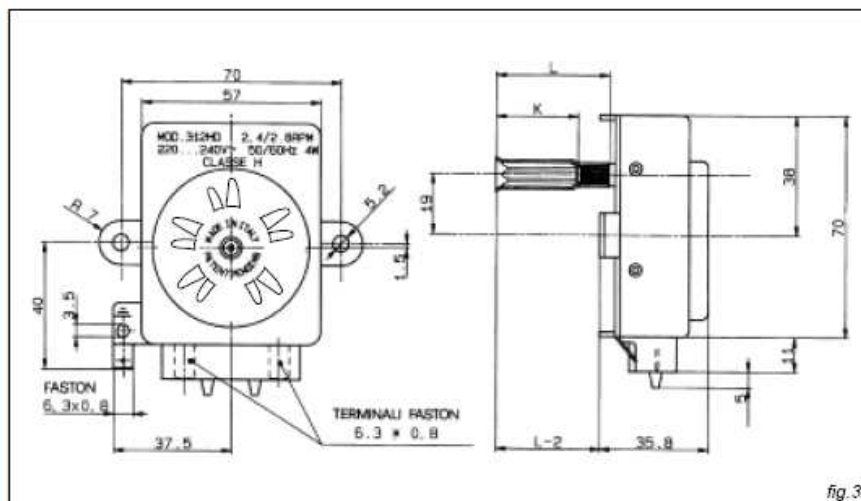
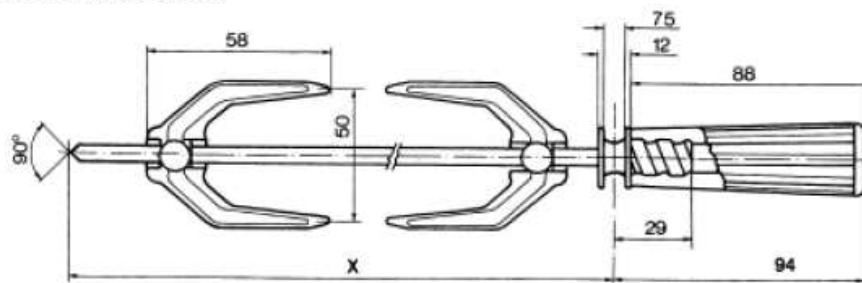


fig.3

▪ L36 spit length.
 The length X in fig. 4, and respective cross section (S or T or Q) must be specified for the spit.
 When ordering please specify required features: the handle the number of prongs and possible faston connector cover with screws.
 A vast range of motor reducers are available according to customer's specific requests; specific codes must be given when ordering.

This catalogue is supplied for information purposes only. We reserve the right to change the presentation, the technical characteristics and the illustrations of the products without prior notice.

Spit in stainless steel



Spit cross section

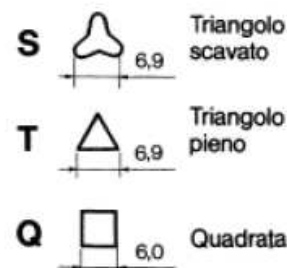


fig.4